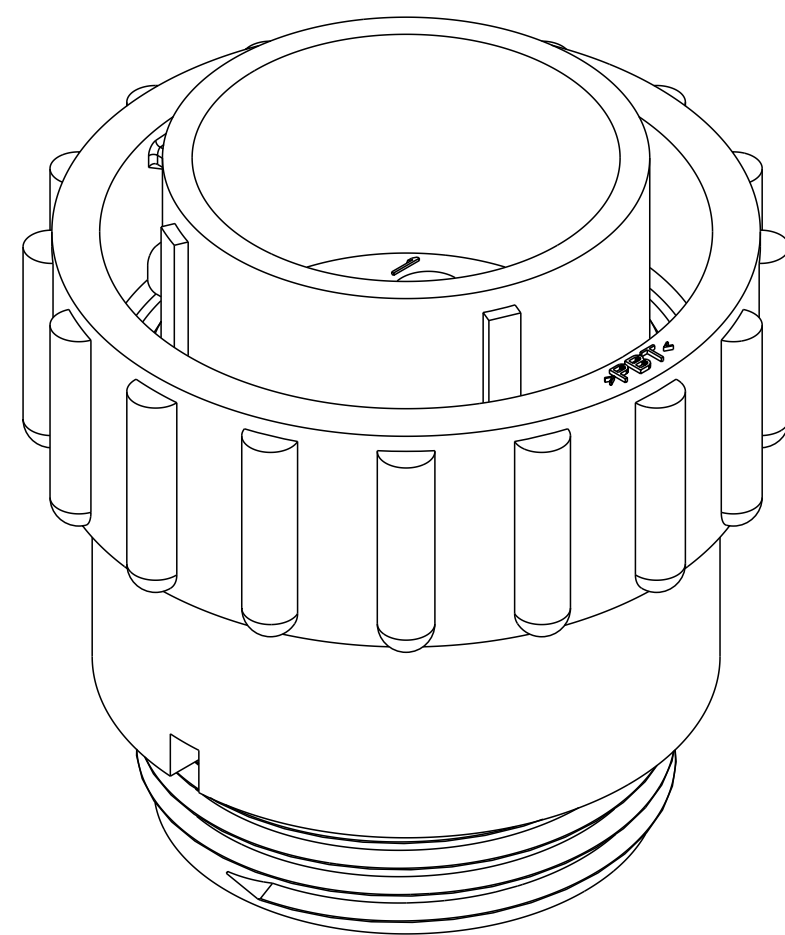
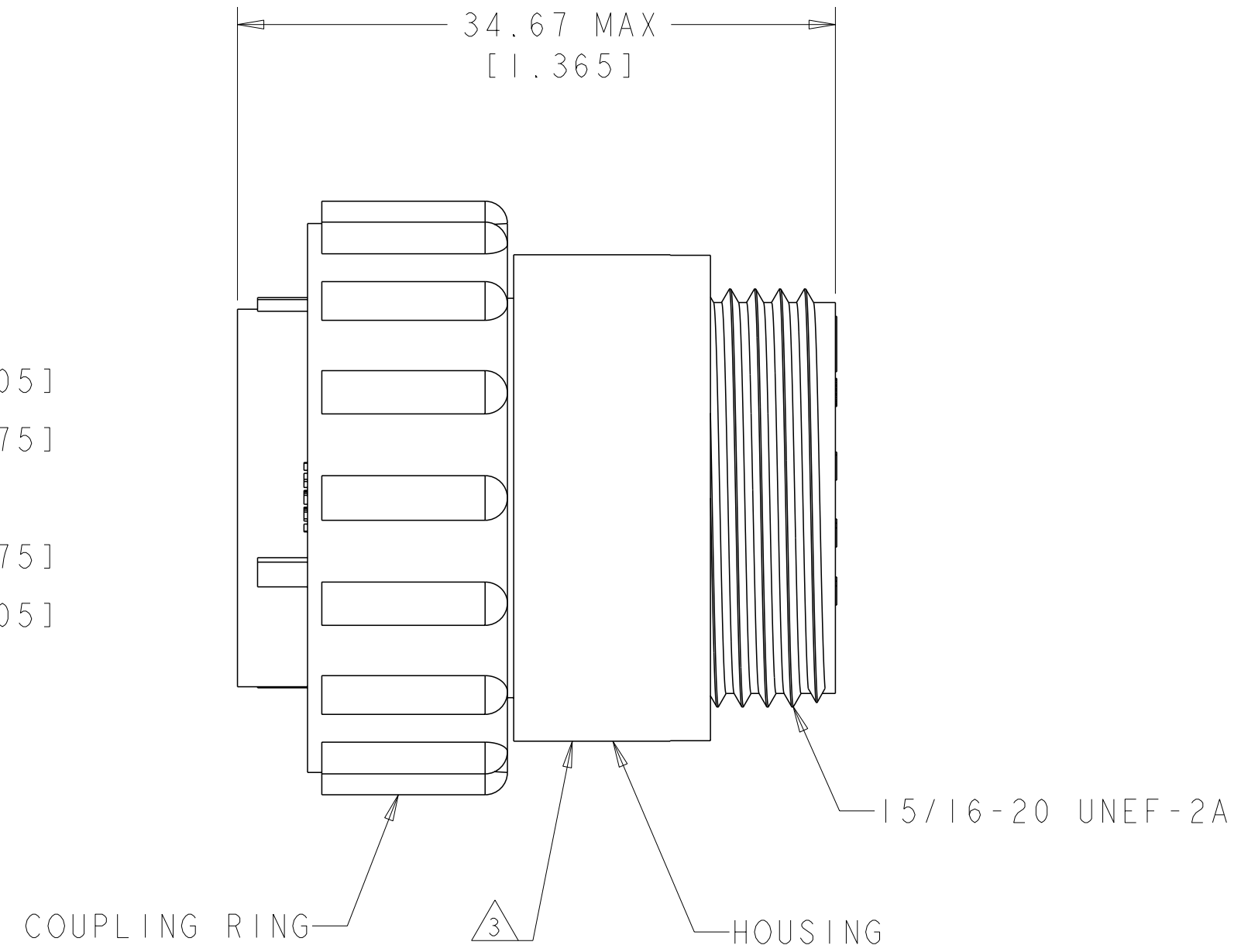
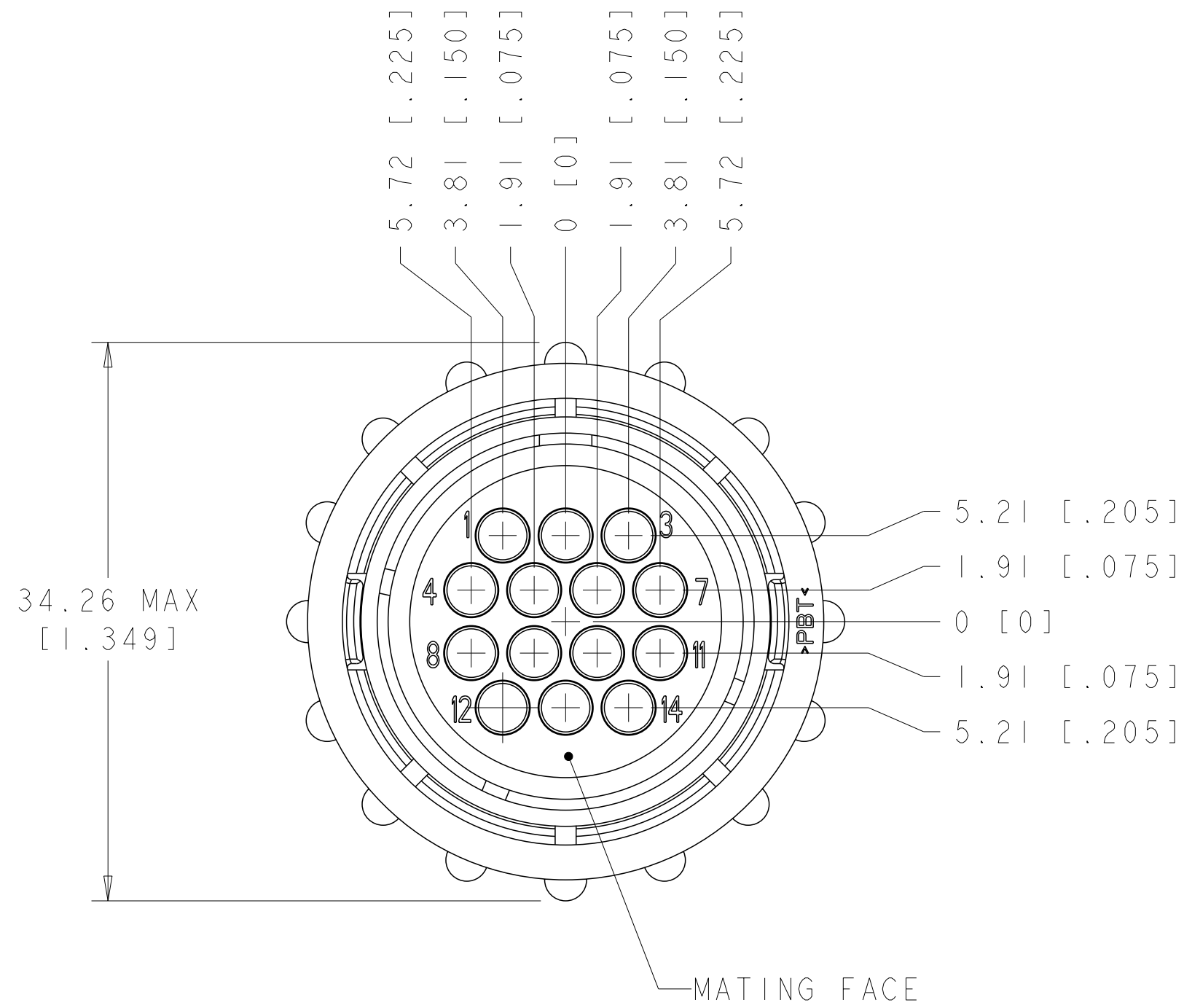


P	LTR	DESCRIPTION	DATE	DWN	APVD
B		REVISED PER ECO-21-006943	18OCT2021	RK	MZ



- 1 HOUSING: NYLON, BLACK
COUPLING RING: POLYESTER, BLACK.
- 2. WILL ACCEPT (14) MULTIMATE PIN CONTACTS.
- 3 TE LOGO AND PART NUMBER LOCATED ANYWHERE ON THIS SURFACE.

796449-1

PART NUMBER

THIS DRAWING IS A CONTROLLED DOCUMENT.		DWN S. WELDON 06APR100			
DIMENSIONS: mm [INCHES]		CHK M. CHACKO 06APR100			
TOLERANCES UNLESS OTHERWISE SPECIFIED:		APVD M. CHACKO 06APR100			
0 PLC ±	1 PLC ±	2 PLC ±0.02	3 PLC ±	4 PLC ±	NAME PLUG ASSEMBLY, SIZE 17-14, REVERSE SEX, CPC
MATERIAL		FINISH	APPLICATION SPEC	SIZE	CAGE CODE
-		-	-	A200779	C-796449
CUSTOMER DRAWING		WEIGHT	SCALE	SHEET	OF
-		-	3:1	1	1
		RESTRICTED TO	REV	B	

Mouser Electronics

Authorized Distributor

Click to View Pricing, Inventory, Delivery & Lifecycle Information:

[TE Connectivity:](#)

[796449-1](#)